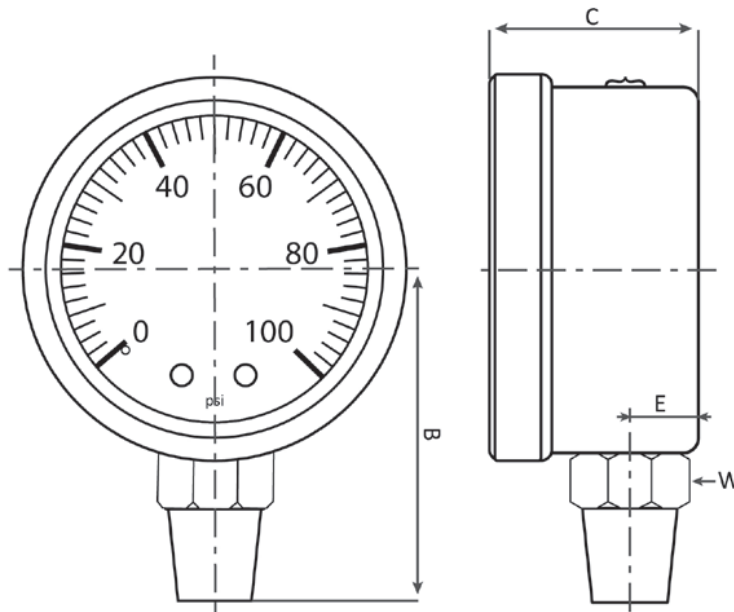




INNOVATIVE TRADE TOOLS

plumBOSS Liquid Filled Pressure Gauge 2500kpa | GO2500LF

Case and bezel material:	304 Stainless Steel, liquid filled with vent plug
Connection:	Copper alloy
Bourdon tube material:	Copper alloy
Working temperature:	Ambient = -20~60°C, Process = +60°C
Dial:	Black print (kPa) red print (PSI) on white background
Ranges:	0kPa to 2500kPa.
Connection:	1/4" BSPT
Window:	Polycarbonate
Surge protection:	Available on Request
Movement:	Copper alloy
Pointer:	Aluminium Black Finish
Accuracy:	+/- 1.6% of Full Scale



Dimensions in mm

	B	C	E	W
63	54.0	30.0	9.0	14.0

Description

- Spare gauges to suit Hose Test Kit and Rufin Test Kit
- Liquid filled gauges provide a greater resistance to damage caused by pulsating or rapidly changing pressures
- Other pressure gauges available