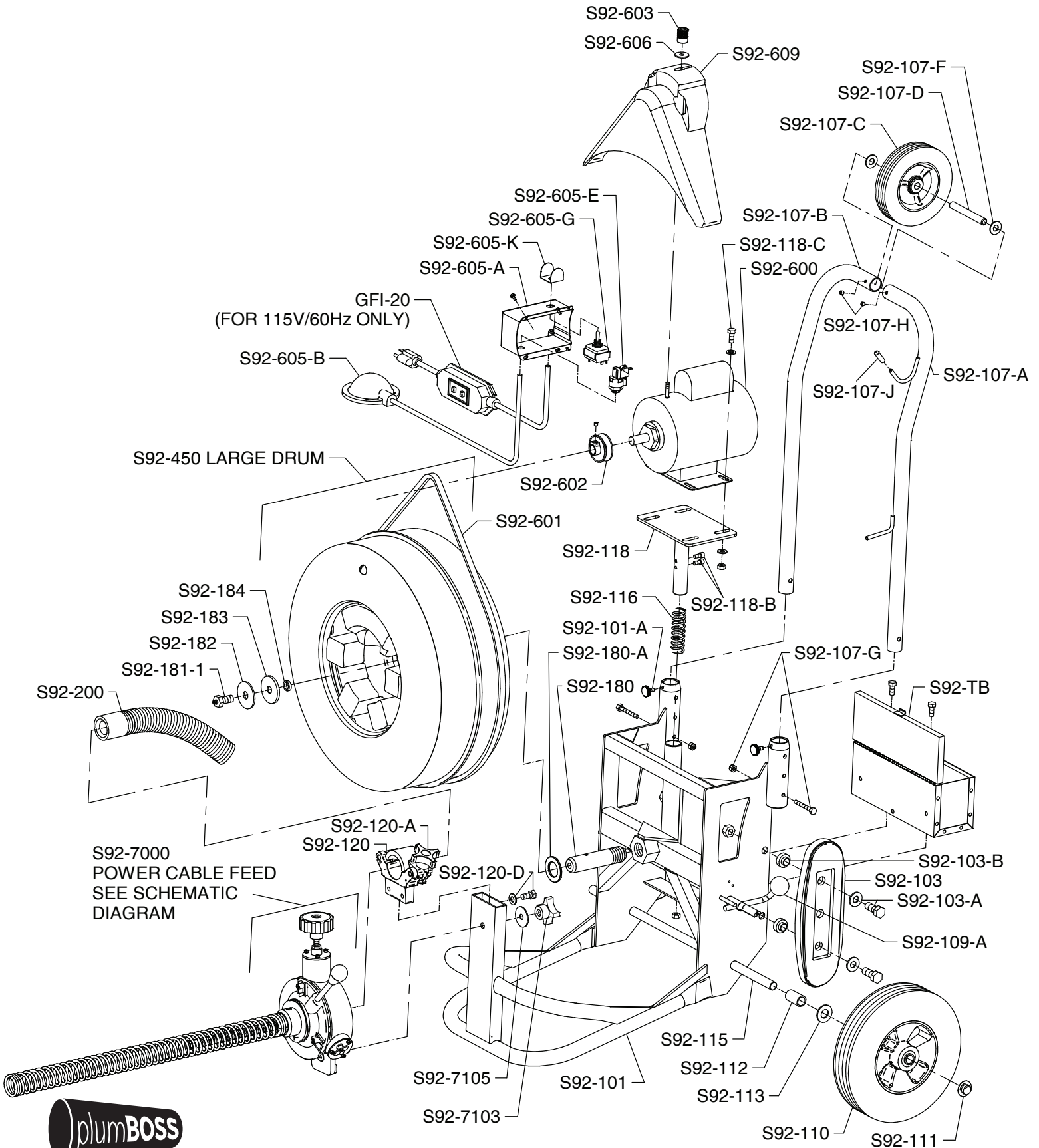


# DRAIN SURGEON PARTS LIST

| ITEM NO. | CATALOG NO. | DESCRIPTION  |
|----------|-------------|--|
| 170645   | S92-100     | Frame Complete w/Axle  |
| 170655   | S92-101     | Frame Only w/Axle  |
| 156036   | S92-101-A   | Handle Support Knob (2)  |
| 156045   | S92-103     | Stair Climber w/Belt (1)   |
| 156050   | S92-103-A   | Nuts, Bolt, & Washers (2)  |
| 156055   | S92-103-B   | Spacers (2)  |
| 156061   | S92-107     | Handle Assembly  |
| 156066   | S92-107-A   | Handle - Left  |
| 156067   | S92-107-B   | Handle - Right   |
| 156075   | S92-107-C   | 6" Handle Wheel  |
| 156080   | S92-107-D   | Axle for Handle Wheel  |
| 156090   | S92-107-F   | Felt Washers (2)   |
| 156100   | S92-107-G   | Bolts & Nuts (2)   |
| 156105   | S92-107-H   | Set Screws (2)   |
| 170730   | S92-107-J   | Rubber Cord Wrap Tip   |
| 156125   | S92-109-A   | Knob for Brake Rod   |
| 156130   | S92-109-C   | Brake Rod Latch w/Screws   |
| 156135   | S92-110     | 10" Wheel w/Retaining Cap (1)  |
| 156140   | S92-111     | Wheel Retaining Cap (2)  |
| 156145   | S92-112     | Axle Spacer (2)  |
| 170740   | S92-113     | Wheel Spacer Washers   |
| 156150   | S92-115     | Axle   |
| 170750   | S92-116     | Motor Support Spring   |
| 170760   | S92-118     | Motor Support Platform   |
| 170770   | S92-118-B   | Guide Screws (2)   |
| 156168   | S92-118-C   | Nuts, Bolt, & Washers (4)  |
| 156170   | S92-120     | Front Bearing Assembly   |
| 156174   | S92-120-A   | Front Bearing Knob   |
| 156183   | S92-120-D   | Bolts, Nuts, & Washers (2)   |
| 170780   | S92-180     | Drum Shaft   |
| 170800   | S92-181-1   | Drum Shaft Retaining Bolt w/Grease Fitting                                   |
| 170790   | S92-180-A   | Wear Washer  |
| 170810   | S92-182     | Retaining Washer   |
| 170820   | S92-183     | Felt Washer  |
| 170823   | S92-184     | High Collar Lock Washer  |
| 170630   | S92-200     | Spring Distributor Tube  |
| 170600   | S92-400-1   | Small Drum Complete (16")  |
| 170960   | S92-402-1   | Drum Shell (16")   |
| 156219   | S92-410     | Drum Connecting Cable (for 1/2" Cables) w/ Nut, Screws, & Lock Washer        |
| 156222   | S92-410-A   | Connecting Cable Nut, Screws, & Lock Washer                                  |
| 170970   | S92-440     | Inner Drum Cage for 15" Small Drum   |
| 166600   | S92-440-1   | Inner Drum Cage for 16" Small Drum   |
| 154390   | S92-614     | Small Drum (15") V-Belt (57")  |
| 154395   | S92-614-1   | Small Drum (16") V-Belt (59")  |
| 170610   | S92-450     | Large Drum Complete  |
| 170980   | S92-452     | Drum Shell   |
| 170840   | S92-454     | Drum Hub Bearings (2)  |
| 170880   | S92-456     | Bushing  |
| 170850   | S92-460     | Drum Connecting Cable (for 5/8" & 3/4" Cables) w/ Nut, Screws, & Lock Washer |
| 156264   | S92-460-A   | Connecting Cable Nut, Screws, & Lock Washer                                  |
| 170870   | S92-490     | Inner Drum Cage for Large Drum   |
| 170873   | S92-490-B   | Inner Drum Cage Bushing  |
| 170874   | S92-490-C   | Screws & Washers (6)   |
| 154248   | S92-600     | 1/2 hp Motor Complete w/Air Foot Switch, Reverse Switch, & GFCI              |
| 154257   | S92-600-3/4 | 3/4 hp Motor Complete w/Air Foot Switch, Reverse Switch, & GFCI              |

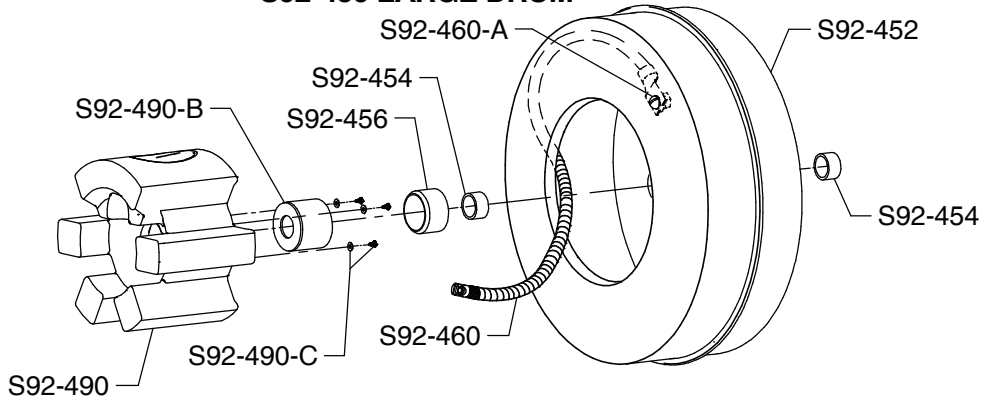
| ITEM NO. | CATALOG NO. | DESCRIPTION  |
|----------|-------------|--|
| 156312   | S92-602     | V-Belt Pulley                                      |
| 156315   | S92-602-2   | Slip Clutch (Optional)                             |
| 156320   | S92-603     | Knob for Belt Guard                                |
| 136000   | GFI-20      | 20 ft. Power Cord w/GFCI                           |
| 156330   | S92-605     | Air Foot Switch & Reverse Switch Assembly          |
| 154326   | S92-605-A   | Box Only w/Cover & Screws                          |
| 136170   | S92-605-B   | Foot Pedal & Hose                                  |
| 154328   | S92-605-C   | Hose Clamp   |
| 136080   | S92-605-E   | Power Switch Diaphragm                             |
| 136130   | S92-605-G   | Reverse Switch - 3-Way                             |
| 170920   | S92-605-K   | Switch Guard                                       |
| 156395   | S92-605-N   | Strain Relief Nut                                  |
| 156335   | S92-606     | Belt Guard Washer                                  |
| 156344   | S92-609-1/2 | Belt Guard (1/2 hp) w/Slot                         |
| 170935   | S92-605-3/4 | Belt Guard (3/4 hp) w/Slot                         |
| 156309   | S92-601     | V-Belt (64")                                       |
| 170940   | S92-7000    | Power Cable Feed Assembly                          |
| 156350   | S92-7101    | Feed Body  |
| 156355   | S92-7101-1  | Feed Body for One Piece Feed Control Disk          |
| 156360   | S92-7101-A  | Lifting Spring                                     |
| 156363   | S92-7101-B  | Guide Pins (2)                                     |
| 155012   | S92-7102    | Mounting Stud                                      |
| 156370   | S92-7103    | Mounting Knob                                      |
| 155020   | S92-7104    | Spout & Retaining Cover                            |
| 155021   | S92-7104-1  | Spout for One Piece Feed Control Disk              |
| 156380   | S92-7105    | Steel Washer                                       |
| 155026   | S92-7200    | Top Roller Assembly                                |
| 155031   | S92-7210    | Top Carrier Only                                   |
| 155036   | S92-7220    | Swing Pin  |
| 155041   | S92-7225    | Feed Roller Shaft                                  |
| 136120   | S92-7250    | Feed Roller w/Bearing                              |
| 155060   | S92-7301    | Feed Pressure Knob                                 |
| 155062   | S92-7301-A  | Limiting Nut                                       |
| 155066   | S92-7315    | Pressure Spring                                    |
| 155070   | S92-7330    | Ball Bearing                                       |
| 155076   | S92-7331    | Ball Bearing Holder                                |
| 155080   | S92-7340    | Top Cover  |
| 155085   | S92-7341    | Cover Screws (3)                                   |
| 155091   | S92-7400    | Bottom Roller Assembly                             |
| 155096   | S92-7410    | Bottom Carrier Only                                |
| 155100   | S92-7420    | Swing Pin  |
| 155106   | S92-7425    | Bottom Roller Shaft                                |
| 136120   | S92-7450    | Bottom Roller w/Bearing                            |
| 155130   | S92-7530    | Thrust Bearing                                     |
| 155135   | S92-7540    | Cable Adjustment Plate                             |
| 155140   | S92-7541    | Plate Screws (3)                                   |
| 155145   | S92-7601    | Feed Control Disc w/Lever & Knob                   |
| 155182   | S92-7601-A  | Lever & Knob                                       |
| 155150   | S92-7601-1  | Feed Control Disk (One Piece)                      |
| 155190   | S92-7635    | Wave Washer  |
| 155195   | S92-7635-1  | Wave Washer for One Piece Feed Control Disk        |
| 136110   | PO-703      | Set of Feed Rollers (3)                            |
| 156008   | S92-TB      | Tool Box w/Bolts & Nuts                            |
| 156006   | S92-GT      | Guide Tube   |
| 146160   | GTE         | Guide Tube Extension                               |
| 132210   | S92-DECAL   | Set of Safety Decals                               |
| 132375   | S92-DVD     | Instructional DVD                                  |
| 130040   | SRCS        | Senior Cutter Set                                  |
| 122080   | 100EM5      | Flexicore Cable, 3x4 00 ft. w/ Male & Female Conn. |
| 122040   | 100EM4      | Flexicore Cable, 5x8 00 ft. w/ Male & Female Conn. |

# DRAIN SURGEON SCHEMATIC DIAGRAM

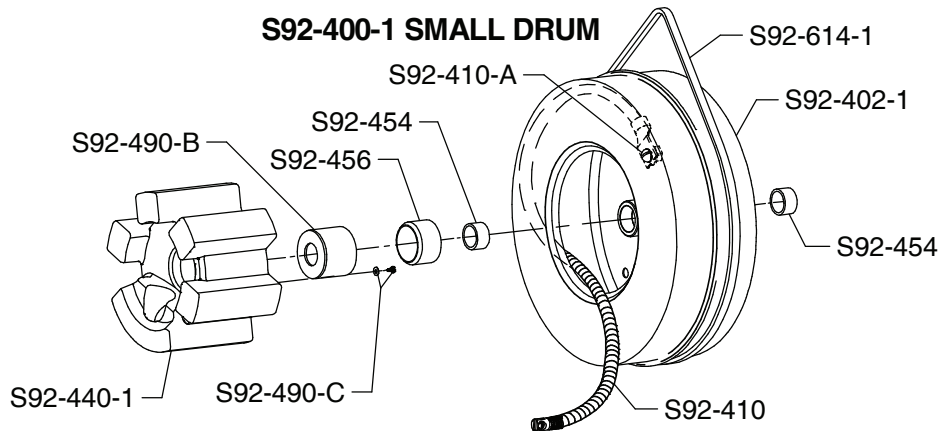


# DRAIN SURGEON SCHEMATIC DIAGRAM

## S92-450 LARGE DRUM



## S92-400-1 SMALL DRUM



## S92-7000

### POWER CABLE FEED

#### 2 PIECE FEED CONTROL DISK PARTS

